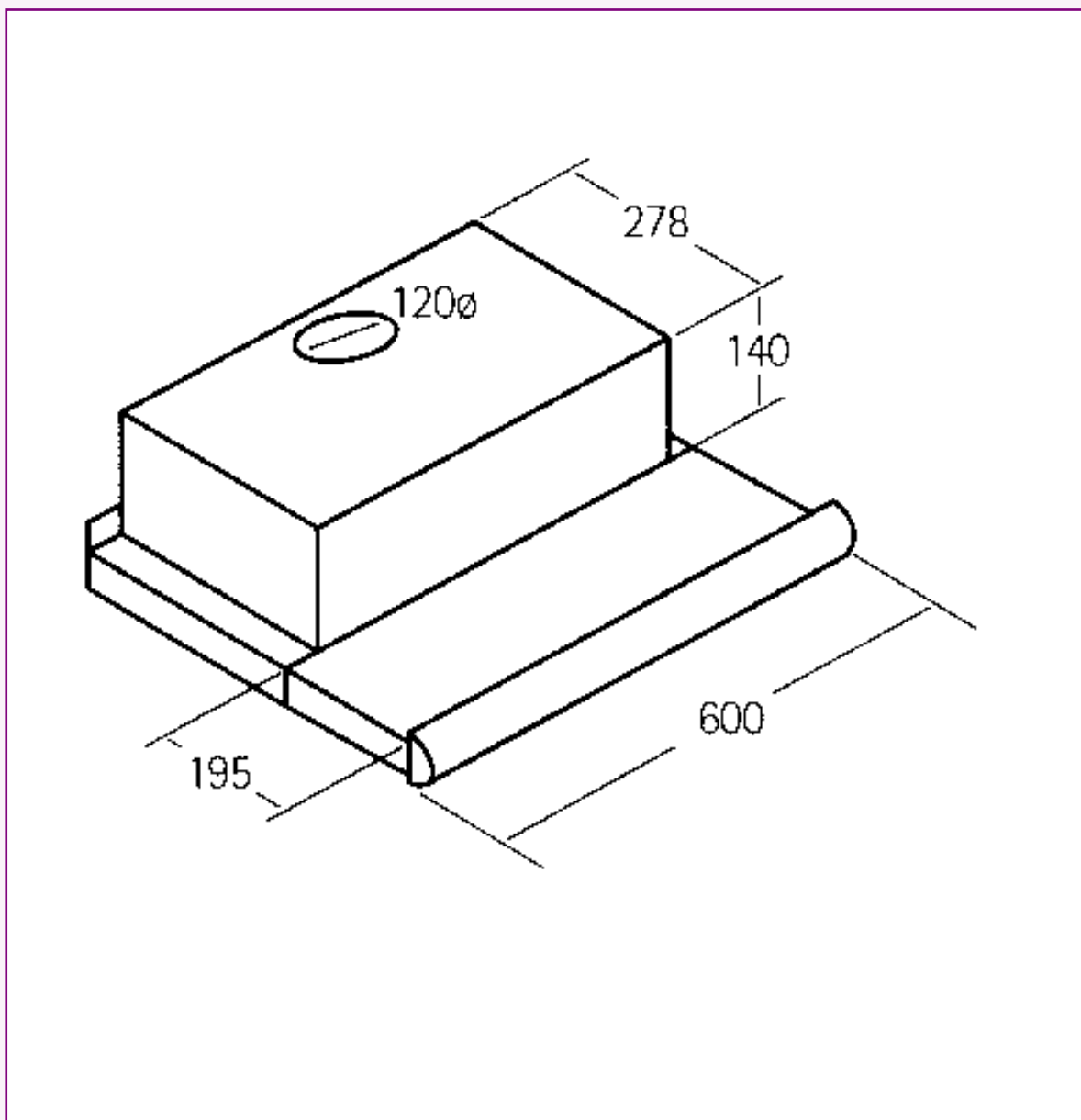


TF 2003



- Telescopic built-in cooker hood
- Extract or recirculation
- 2 x 40w lights
- 1 washable grease filter
- Available in 60cm width
- Stainless steel with **anti-fingerprint finish** or white
- 2 speeds
- Powerful tangential 80w motor
 - airflow 2 - 400 m³/hr
 - airflow 1 - 280 m³/hr
 - Air pressure 280 Pa

TF 2003



Vectaire Ltd
Lincoln Road
Cressex Business Park
High Wycombe
Bucks, HP12 3RH
Tel: +44(0)1494 522333
Fax: +44(0)1494 522337
Email: sales@vectaire.co.uk

